



DRAW A LINE

003  
**Tension Rod C**  
 Instruction Manual



HEIAN SHINDO KOGYO CO., LTD.  
<http://www.heianshindo.com>

This is a pressure-held type rod that can be mounted between ceiling and floor.

This product can be used as interior items by combining with accessories of Draw a Line series.

It is easier to assemble and install by 2 persons.

**! WARNING**

To ensure safe and proper use of the product, read these instructions before use. Failure to follow these precautions and instructions could result in serious injury and/or property damage.

Keep this manual nearby so that it can be referred to anytime during use of the product. Instructions are also available on our company website at <https://heianshindo.com/>.



Material Indication	
Pole	..... Steel (Epoxy Resin Coating)
Resin Parts	..... ABS Resin, EVA Resin
Screws	..... Brass / Steel / ABS Resin

DESIGNED IN JAPAN / MADE IN CHINA 100423V

\* We make every effort to manufacture products to ensure that they are free of defects. However, in case you find it defective, please contact the retailer where you purchased it.

\* In order to improve quality, the specifications and/or appearance are subject to change without prior notice.

1

● Do not touch the end of the pipes directly by hands; you might otherwise get hurt. (Please wear the hand glove for the installation work.)

● Do not install the product above or near valuable or breakable objects, or above a faucet. If things hanging on the rod, or the rod itself fall, property damage can occur.

● Do not put or hung cutting tools or other items that could cause injury, burning equipment, valuable or breakable objects on the products just in case of the rod falling down.

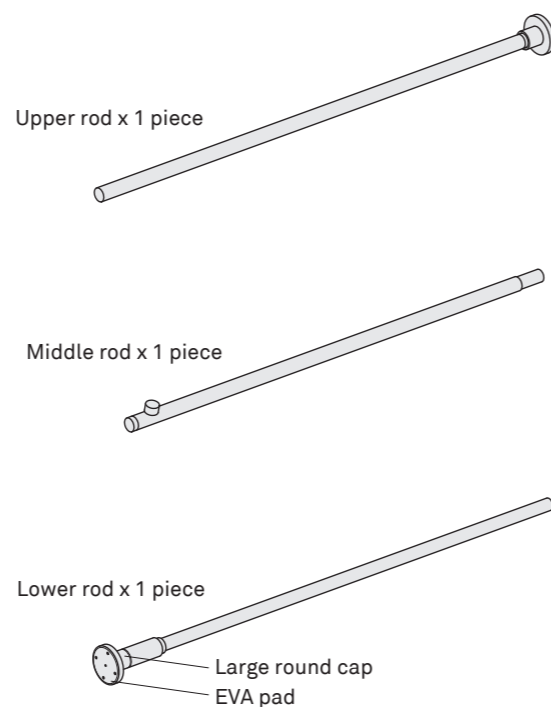
● The surface coating might be scratched depending on the usage method.

● Wipe off any dirt with a neutral detergent diluted with water. After cleaning, remove the detergent completely and then wipe with a dry cloth. Do not use a scouring or polishing powder since it will damage the product.

● Deodorants, air fresheners, cosmetics, hairdressing liquids, acid detergents, alkaline detergents, oils and organic solvents (benzene, thinner, etc.) can deteriorate the product. In case of contact, immediately clean the rod and remove these substances.

4

**Parts Description**



\*Please check that all the parts are included. It is easier to install by setting out these parts before installing.

5

**Precautions to Prevent Injury or Damage**

● Failure to obey these precautions may cause the tension rod to fall down, leading to serious injury and/or property damage.

● Do not use this product to protect an individual or their property such as for use as a handrail or guard or for any purpose other than the intended use described in these instructions. Doing so could result in the tension rod falling down, leading to injury and/or physical damage.

● Do not install this product above or near hazardous material such as chemicals, cutting tools or other items that could cause injury, combustion equipment, heating equipment, or above a place where people normally are located. Things hung on the rod may catch fire or may fall and cause injury.

● Keep children away from the product while assembling or installing it. This is to avoid accidental ingestion of small parts, and injuries resulting from tripping on a component.

● Do not modify rod. Doing so could cause rod or objects hanging on rod to fall and cause injury.

● When installing and using the product, observe the following:  
 - This product is only for indoor use. Do not use this product outside.

- Install the product where the concrete ceiling, floor and their walls and foundations are strong enough to withstand pressure produced by the rod during the entire period of use. For weak ceiling or floor such as those made of wall board or veneer, mount the product where there is a crosspiece or stud, or attach the rod using a commercial wooden board.

- Do not install this product on the Japanese-style room's ceiling as the ceiling is fragile to be damaged.

2

**Location for Installation**

✓ OK	Where the concrete ceiling, floor and their walls and foundations are strong enough to withstand pressure.
✗ NOT OK	On a slope, curved or uneven surface. On carpet, straw mat, fragile surface and unfixed desk or table.
Indoor Use only	Necessary installable height: 78.8 - 108.3 in / 200 - 275 cm
	Max. load capacity (reference values): 22 lbs / 10kg

○ When a lamp attach to the rod, use exclusive lamps of Draw a Line series. Do not attach other lamps on the rod.

○ The load capacity may decrease because of the magnitude of the pressure produced between the product and ceiling and floor, installation length, ceiling and floor material, and installation condition. As a result, the indicated load capacity is not a guaranteed value but is shown here for reference only.

○ We will not compensate for failures, damage, and injuries due to things such as natural disasters, deterioration, alteration, inappropriate use, or failure to follow these instructions.

6

**Product Appearance**

● Brass parts are not plated but left in their original state, so the color will change over time.

● The steal surface are coated with a matt finish to give it a unique texture. The surface coating get scratched when some hard tip touch the surface.

● During installation, to fix the length by screw penetrate into the pipes, a hole will be made in the pipe.

Enjoy the charm and appearance of the materials as they change and age.

7

- Do not install this product on carpet, straw mat, fragile surface and unfixed desk or table.

- The product should not be installed on a slope, curved or uneven surface.

- Install this products where is not within person's reach who may damage and/or falling down the product such as children.

- Do not use the product in areas subject to high temperatures, direct sunlight, high humidity or direct contact with water, or outdoors or in bathrooms.

- Install vertically (between ceiling and floor) and not horizontally. Be sure to install the products in correct direction as the lower rod, which has the grip, is on the floor side.

- Assemble this product on the adequate space. Also, lay down a cloth on the floor to prevent the floor from scratches during assembling.

- Install the product within the necessary installable measurements indicated.

- As this product can be installed / fixed by tension force, tighten the screws firmly. If the tightening is not enough, it would be the cause of falling down.

- Use the product within the indicated load capacity shown below. When hanging things on the rod, apply a load that is evenly distributed.

- Avoid applying shock loads to the rod such as pulling it down strongly, shaking it, or hanging from it.

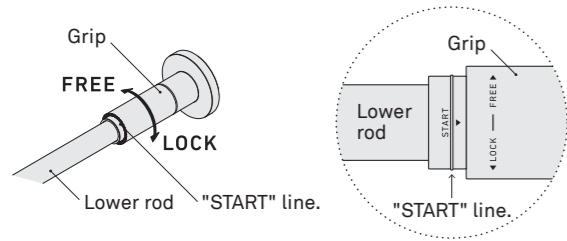
- Discontinue use immediately if any damage or abnormalities are found.

- Check the installation condition of the product a few days after installation and increase the tension force by turning the grip if the tension force is not enough. As the tension force could be loosen by using in a long period, check the condition regularly (around 2 times per month) and turn the grip to increase the tension force in case of the loosen.

1

Rotate the grip in the direction of **【LOCK】** to check that the grip operates properly. Then rotate the grip in the direction of **【FREE】** until the grip end returns approximately to the "START" line.

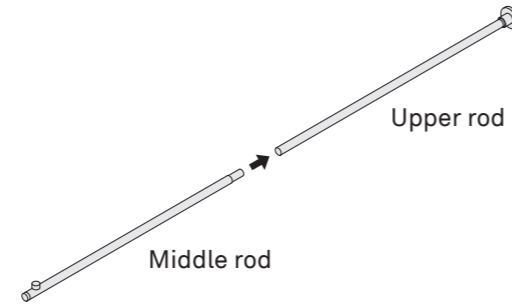
- Excessive retraction may cause mechanical damage.
- In case of installing this product again, turn the grip back to the "START" line before installing.



8

2

Insert the Middle rod into the Upper rod.

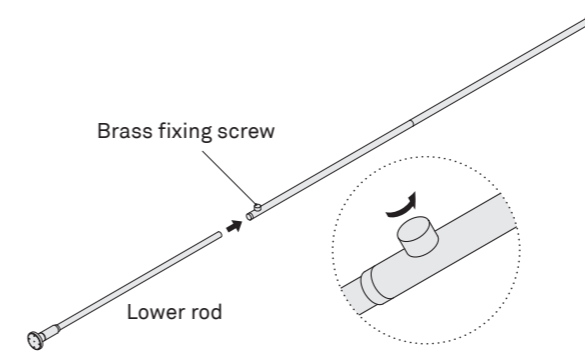


9

3

Loosen the Brass fixing screw and insert the Lower rod into it.

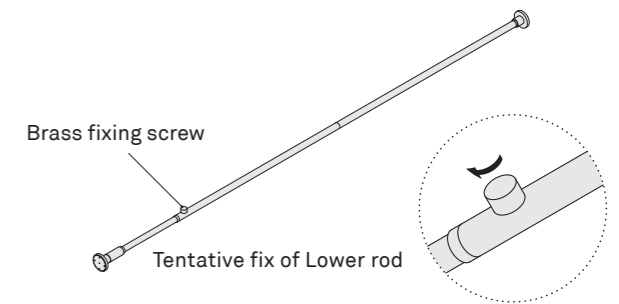
- If the Brass fixing screw has not been sufficiently loosened, the Lower rod cannot insert, or can become scratched.



10

4

Turn the Brass fixing screw as just tentative fix of the Lower rod to avoid the Lower rod slip down.



11

5

① Check the condition of the ceiling and floor on which the rod will be mounted.

- Follow safety precautions during installation.

② Set up the tentatively assembled products vertically and loosen the Brass fixing screw.

(Please take care that the Lower rod does not slip down.)

Extend the Lower rod (until the caps on both ends are fitted to the ceiling and floor) so that the rod length is equal to the distance between the ceiling and floor.

- When extending the Lower rod to the limit, a short line appears. Do not extend the Lower rod over this line.

③ To set the length of the rod, tighten the Brass fixing screw fully into the rod. Doing so will result in the screws drilling a hole in the rods.

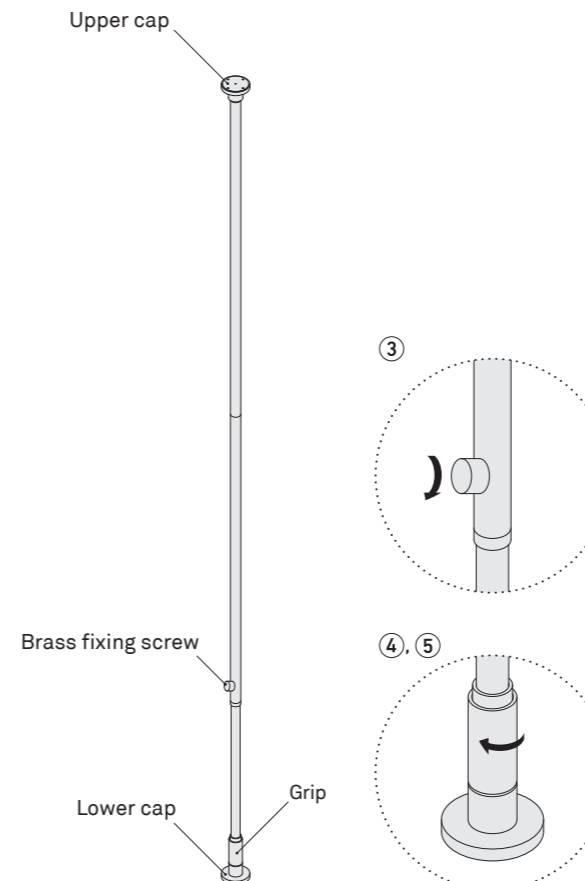
- If the tightening is not enough, it would be the cause of falling down.

12

④ While taking care of keeping the rod vertically, rotate the grip in the direction of **【LOCK】** for tentative fixed to avoid the rod falling down.

- Adjust the upright position of the rod at this step.

⑤ Turn the grip in the direction of **【LOCK】** so that it applies tension to firmly crimp and fix. Lightly try to move the rod to be sure it is secured in place.

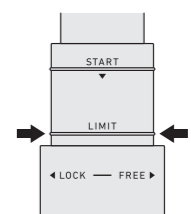


14

**Caution**

To not damage the ceiling and floor, adjust the fitting pressure with the grips while checking on the conditions of the ceiling and floor surfaces to which the rod is mounted.

If you continue rotating the grip, a "LIMIT" line will appear. If the end of the grip exceeds this line, it may have been incorrectly installed, or it may not be available for the installation location. Recheck the necessary installable height and start over from step ①. Incorrect mounting will cause the product not to function properly and to possibly fall, leading to serious injury and/or property damage.



15

13