



DRAW A LINE

006  
**Table A**  
Instruction Manual

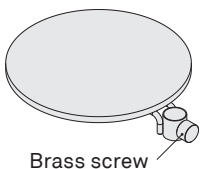


HEIAN SHINDO KOGYO CO., LTD.  
<http://www.heianshindo.com>

**Precautions to Prevent Injury or Damage**

- This product is only for indoor use. Do not use this product outside.
- Do not use this product for any purpose other than the intended use described in these instructions.
- Install this products where is not within person's reach who may damage and/or falling down the product such as children.
- Do not disassemble or modify the product.
- Avoid putting stuffs beyond the indicated load capacity or applying shock loads. Doing so could result in the products physical damage and/or falling down.
- In case of pulling the product or clothes getting stuck with the product, it could cause the tension rod to fall and cause injury and/or damage the floor.
- Tighten the brass screws firmly and check whether the product could not be slipped down before use.
- Wipe off any dirt with a damp soft cloth and then wipe with a dry cloth.
- Water and oils can discolor or rust the product. In case of contact, immediately clean and remove these substances.

Table board (Main body) x 1 piece



Brass screw

Indoor Use only	Max. Load Capacity (reference values) 1kg / 2.2 lb
-----------------	--

In case of calculating the load capacity for Tension Rod, please include the weight of this product as 1kg (2.2lbs).

This is an accessory part for Draw a line series only.  
This product is an interior item to combine with Tension rod or Move rod of Draw a Line series.



**WARNING**

To ensure safe and proper use of the product, read these instructions before use. Failure to follow these precautions and instructions could result in serious injury and/or property damage.

Keep this manual nearby so that it can be referred to anytime during use of the product. Instructions are also available on our company website at <https://heianshindo.com/>.



Material Indication	
Table board	..... Plywood (Lacquer-finished)
Sleeve tube	..... Steel (Epoxy Resin Coating)
Screws	..... Brass / Steel / ABS Resin

DESIGNED IN JAPAN / MADE IN CHINA 200423P

\* We make every effort to manufacture products to ensure that they are free of defects. However, in case you find it defective, please contact the retailer where you purchased it.

\* In order to improve quality, the specifications and/or appearance are subject to change without prior notice.

**Product Appearance**

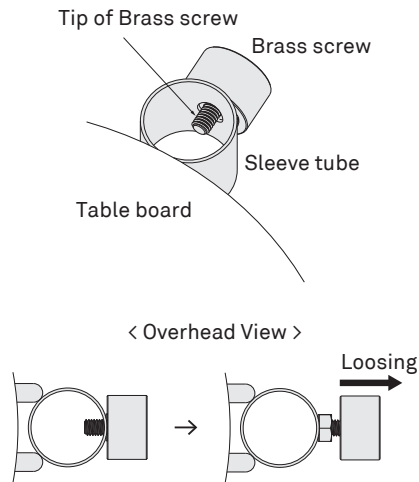
- As natural wood is used, there are individual difference in the wood grain, knot, color and luster and so on.
- Brass parts are not plated but left in their original state, so the color will change over time.
- The steal surface are coated with a matt finish to give it a unique texture. The surface coating get scratched when some hard tip touch the surface.
- During installation, to fix the position by pushing screw into the pipes, a scratch will be made on the pipe.

Enjoy the charm and appearance of the materials as they change and age.

## Installation Procedures

**Firstly**, please make sure to do the followings.

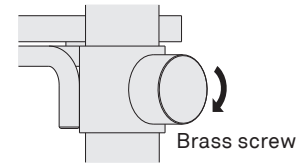
Before inserting the Table board into the pipes, loosen the Brass screw until the tip of the Brass screw is hidden in the Sleeve tube to avoid the damage of the pipes.



4

**Lastly**, please make sure to do the followings.

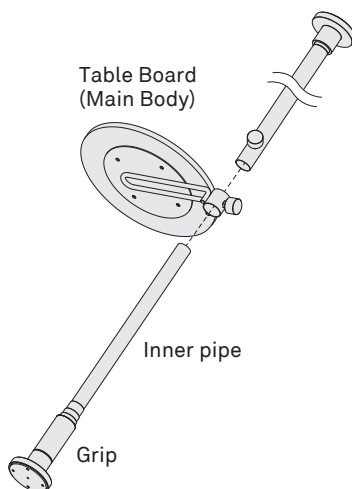
After installing the Tension rod, tighten the Brass screw to fix the position and direction of the Table board.



5

### ● In case of attaching on the Inner pipe.

Before installing the tension rod, pull out the inner pipe from the outer pipe and insert the Table board into the Inner pipe with the right way up.

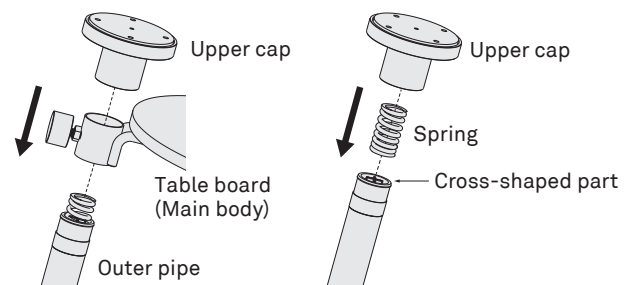


6

### ● In case of attaching on the Outer pipe.

Before installing the tension rod, remove the Upper cap which is on the Outer pipe. Insert the Table board into the pipe and put the Upper cap on the Outer pipe.

\*If the Spring comes off, insert the Spring into the Cross-shaped part inside the pipe and put the Upper cap on the pipe.



7