



Adjustable Iron Rod

IX□-7NE, IX□-8NE, IX□-9NE

Instruction Manual

This is an accessory part for Labrico series only. This item can be used with the Labrico series for DIY. Please prepare a Phillips screwdriver for the installation.



To ensure safe and proper use of the product, read these instructions before use. Failure to follow these precautions and instructions could result in serious injury and/or property damage. Keep this manual nearby so that it can be referred to anytime during installation or use of the product. Instructions are also available on our company website at <https://heianshindo.com>.



1

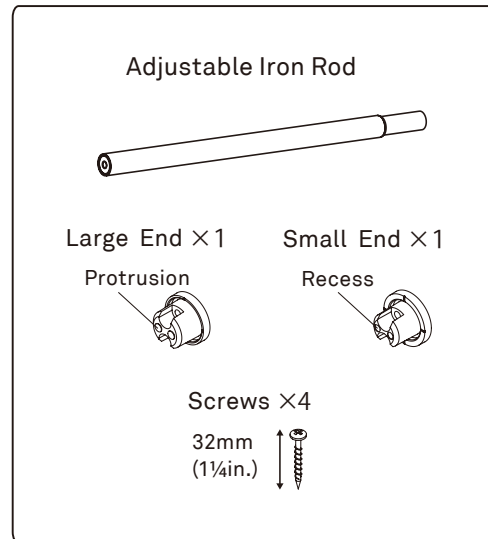
the rod fixing during use.

- Discontinue use immediately if any damage or abnormalities are found.

- Do not store valuable, breakable or hazardous objects on the product.
- Deodorants, air fresheners, cosmetics, hairdressing liquids, acid detergents, alkaline detergents, oils and organic solvents (benzene, thinner, etc.) can deteriorate the product. In case of contact, immediately clean the product and remove these substances.
- Wipe off any dirt with a neutral detergent diluted with water. After cleaning, remove the detergent completely and then wipe with a dry cloth. Do not use a scouring or polishing powder since it will damage the product.

4

Parts Description



5

Precautions to Prevent Injury or Damage

- Failure to obey these precautions may cause the product to fall down or catch on fire, leading to serious injury and/or property damage.
- Do not use this product to protect an individual or their property such as for use as a handrail or guard. Do not use this product for any purpose other than the intended use described in these instructions. Doing so could result in the product falling, leading to injury and/or physical damage.
- Do not install this product above or near hazardous material such as chemicals, cutting tools or other items that could cause injury, combustion equipment or heating equipment. Things hung on the product may catch fire or may fall and cause injury.
- Keep children away from the product while assembling or installing it. This is to avoid accidental ingestion of small parts, and injuries resulting from tripping on a component.
- Do not modify or paint the product.

2

● When installing and using the product, observe the following:

- This product is only for indoor use. Do not use this product outside.
- The product should not be installed on a slope, curved or uneven surface.
- Install the product perpendicular to the mounting surface. Do not install the product at an angle.
- Install horizontally (perpendicular to the wall) and not vertically.
- Do not use the product in areas subject to high temperatures, direct sunlight, high humidity or direct contact with water, or outdoors or in bathrooms.
- Use the product within the indicated working load capacity shown below.
- When hanging things on the product, apply a load that is evenly distributed.
- Avoid applying shock loads to the product such as pulling it down strongly, shaking it, climbing up or hanging from it.
- Check periodically that there is no deformation, damage, cracking or looseness of

3

Size	Model No.	Installable Measurements	Working Load
S	IXK-7NE IXO-7NE	19.7 - 27.6 inches	88.1 - 44lbs
		50 - 70cm	40 - 20kg
M	IXK-8NE IXO-8NE	27.6 - 43.3 inches	88.1 - 33lbs
		70 - 110cm	40 - 15kg
L	IXK-9NE IXO-9NE	43.3 - 74.8 inches	88.1 - 22lbs
		110 - 190cm	40 - 10kg

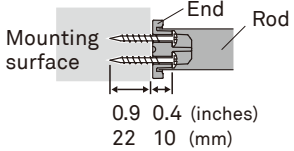
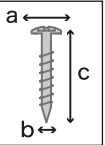
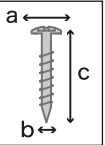
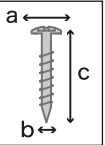
Working Load

The working load capacity may decrease because of installation location, the wood to be used and installation condition. As a result, the indicated working load capacity is not a guaranteed value but is shown here for reference only.

6

7

Location for Installation

<p>✓ OK</p>	<ul style="list-style-type: none"> • A location that has a solid base of wooden pillar or wall with a thickness of more than 0.6 inches/15mm. Or where the foundations are strong enough which has a crosspiece with a thickness of more than 0.6 inches/15mm. • A location where there is no problem if screw holes remain on the mounting surface. <p>* If the supplied screws (32mm / 1¼ inches) are used, the length of the part screwed into the wood is 0.9 inches / 22mm.</p>  <p>* Please prepare separate screws for the installation location, if necessary.</p> <table border="1" data-bbox="454 438 1048 582"> <thead> <tr> <th colspan="2">Pan head screw for wood</th> <th rowspan="3">  </th> </tr> </thead> <tbody> <tr> <td>Dimeter (a)</td> <td>Φ6.5-8mm Φ¼ - ⅝ inches</td> </tr> <tr> <td>Thickness (b)</td> <td>Φ3.5-3.8mm Φ⅛ - ⅑ inches</td> </tr> <tr> <td>Length (c)</td> <td>20-32mm ⅜ - 1¼ inches</td> </tr> </tbody> </table>	Pan head screw for wood			Dimeter (a)	Φ6.5-8mm Φ¼ - ⅝ inches	Thickness (b)	Φ3.5-3.8mm Φ⅛ - ⅑ inches	Length (c)	20-32mm ⅜ - 1¼ inches
Pan head screw for wood										
Dimeter (a)	Φ6.5-8mm Φ¼ - ⅝ inches									
Thickness (b)	Φ3.5-3.8mm Φ⅛ - ⅑ inches									
Length (c)	20-32mm ⅜ - 1¼ inches									
<p>✗ NOT OK</p>	<p>On concrete, gypsum plaster board, a wood base less than 0.6 inches/15mm thick, hollow-core board, or soft wood such as paulownia or balsa.</p>									

8

9

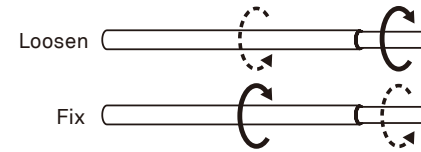
Installation Procedures

01 Check the condition of the wall on which the product will be mounted.

- Follow above safety precautions during installation.

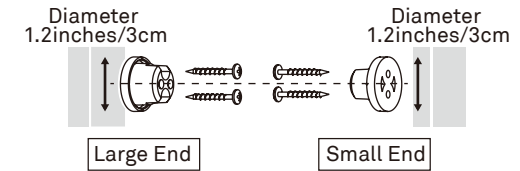
02 How to fix the rod length

- * The rod is fixed at the time of purchase.
- Loosen it before installing the product.
- * Be careful that the pipe does not fall off.



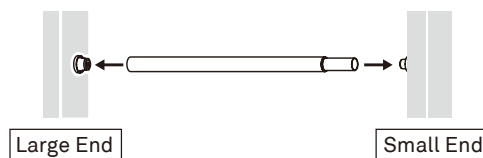
10

03 Fix the both ends with screws.



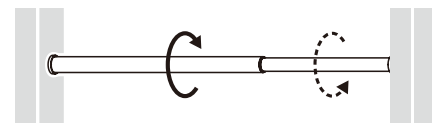
11

04 Extend the rod and insert it all the way into the both end parts.

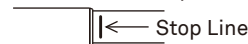


12

05 Fix the rod length by twisting the pipes. Before use, lightly try to move the rod to be sure it is secured in place.



*If you continue extending the rod, a "stop line" will appear. Do not install the rod with a length that exceeds the stop line.



13

© We will not compensate for failures, damage, and injuries due to things such as natural disasters, deterioration, alteration, inappropriate use, or failure to follow these instructions.

* We make every effort to manufacture products to ensure that they are free of defects. However, in case you find it defective, please contact the retailer where you purchased it.

* In order to improve quality, the specifications and/or appearance are subject to change without prior notice.

* The color tone on the package is for reference and may differ from the actual color of the product.

14

Material Indication

Body Steel (Epoxy resin coating)
Screws Steel (Plating)
Resin parts ASA Resin

MADE IN CHINA DESIGNED IN JAPAN M240215



HEIAN SHINDO KOGYO CO., LTD.
<http://www.heianshindo.com>

15